



*Always
Innovating*

Specialized Lubrication

Automotive • Marine • Industry • Home/Hardware

Application & Usage Guide



GREASES

OILS

STICKS

FLUIDS

AEROSOLS



*Always
Innovating*

TABLE OF CONTENTS	PAGE
Automotive Lubricants	
• Products	3-7
• Application Guide	8-9
Home/Hardware Lubricants	
• Products	10-12
• Application Guide	13
Industrial Lubricants	
• Products	14-16
• Application Guide	17
Canadian Compliant Packaging	18-19





BD-1

BD-6

BD-6H

Belt-Ease® Belt Dressing

Clear, clean belt dressing adds traction and stops belt slippage. Silences squeaks and squeals. Helps preserve life of automotive fan, alternator, power steering and air conditioner drive belts. Aerosol features “spray-any-way” valve that even works upside down with an accurate pinpoint spray.

Cat. No.	Size	Case
BD-1	.14 oz. / 4 gm Pouch	100
BD-6	4 oz. Aerosol	12
BD-6H	4 oz. Aerosol	12



BK-1

BK-1D DISPLAY

BK-3

BK-4 DISPLAY

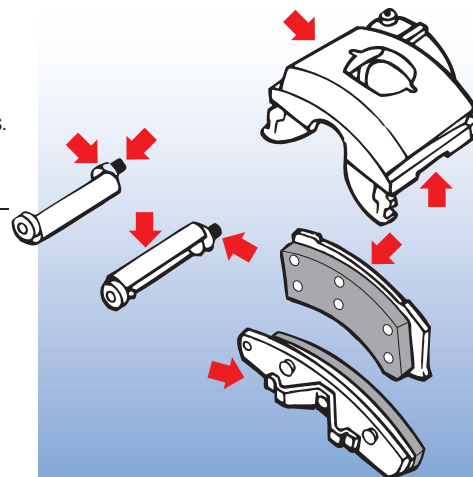
BK-8

BK-12

Sil-Glyde® Brake Lubricant

Sil-Glyde is a silicone based brake lubricant recommended for the entire brake assembly and is compatible with rubber. It is moisture-proof and heat resistant to over 425°F (218°C), which means it won't burn-off like other brake noise products. Using AGS brake lubricant is one of the keys to eliminating disc brake squeal.

Cat. No.	Size	Case
BK-1	.14 oz. / 4 gm Pouch	100
BK-1D	.14 oz. Pouch / Display Box	24
BK-3	1 oz. Tube, Carded	12
BK-4	4 oz. Tube / Display Box	12
BK-8	8 oz. Tube	12
BK-12	12 oz. Tub	12



Application Points

- Apply thin layer of brake lubricant to:
- Back side plate of disc brake pads.
 - Anti-squeal shims.
 - Caliper slides, mounting bolts, bushings, boots, and seals.



CP-1

CP-4

CPK-1K

Dielectric Connector Protector™

Connector Protector provides a moisture-proof barrier for electrical connections and wiring. Locks out weather, salt, and dirt, even in severe outdoor conditions. Suggested Applications: Plugs, sockets, connectors, bulbs, trucks, boats, cars, outdoor equipment, and underground connections.

Cat. No.	Size	Case
CP-1	.14 oz. / 4 gm Pouch	100
CP-4	4 oz. Tube	12
CPK-1K	.14 oz. / 4 gm Pouch, Carded	12



White Lithium Grease Crayon

A high quality, white, multi-purpose grease in a convenient crayon form. A long-lasting lubricant with excellent water and heat resistance, corrosion protection and high film strength. Provides superior performance in all weather and all temperatures. Suggested Applications: Brake parts, gear shift mechanisms, steering linkages, hood latches, door and trunk hinges, distributor cams, window regulators, ash tray guides, seat tracks, break-in lubrication of bearings, pistons, etc.

CY-1

Cat. No.	Size	Case
CY-1	.43 oz. Stick, Carded	12



DS-1



DS-2



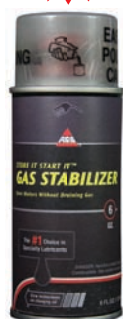
DS-4

Dielectric Silicone Compound

Stops Electrical Failures. A "MUST" for all electronic and standard ignitions. Meets OEM specifications. Only Dielectric Silicone works on HIGH ENERGY IGNITION SYSTEMS. Prevents mis-readings. Seals out moisture and corrosion. Suggested Applications: Sensor connections, computer connections, solenoids, truck pigtailed, plugs, ignition modules and coils, marine connections, lighting systems, batteries, and terminals.

Cat. No.	Size	Case
DS-1	1.25 oz. Tube, Carded	12
DS-2	.5 oz. Tube, Carded	12
DS-4	4 oz. Tube	12

* See page 16 for bulk tubes of Dielectric Silicone.



GS-7



GS-20

Store-It Start-It™ Gas Stabilizer

Gas Stabilizer keeps fuel fresh during extended storage. Store engines between seasons without draining gas. Assures instant start-up after storage. Works with new ethanol fuels. Not for use with diesel engines 2007 and newer. Suggested Application: Tractors, chain saws, snow-blowers, lawn mowers, outboards, snowmobiles, motorcycles, boats, and automobiles.

Cat. No.	Size	Case
GS-7	6 fl. oz. Can	12
GS-20	20 fl. oz. Can	12

MARINE LUBRICANTS

Marine
Outboard
Motors

Hypoid 90 Outboard Gear Lube

An extreme pressure lubricant for the lower units of outboard motors and stern drives with mechanical shift mechanisms and other applications specifying an SAE 90 gear oil. Formulated with corrosion inhibitors and anti-wear additives to assure maximum performance and protection against rust and corrosion in fresh or salt water.

Cat. No.	Size	Case
GL-10M	10 fl. oz. Tube	12



GL-10M

High Viscosity Outboard Gear Lube

For the lower units of all modern outboard motors and stern drives. Recommended for lower gears on Johnson-Evinrude outboards 1973 and later OMC stern drives 1978 and later. Formulated with corrosion inhibitors and anti-wear additives to assure maximum performance and protection against rust and corrosion in fresh or salt water.

Cat. No.	Size	Case
GLHV-10	10 fl. oz. Tube	12



GLHV-10



HB-1



HBK-2



HB-4

Sil-Glyde® Hitch-Ball Lubricant

Protects against corrosion, wear, and ugly rust. High film strength lubricant has over 3 times the strength of ordinary petroleum greases. Stays put, won't run. Withstands high pressure. Protects mechanisms from wear over rough and uneven roads and against corrosion in all weather. Suggested Application: Trailer hitch-balls, sway bars, hitchshanks and catches, and pin hooks on fifth wheels.

Cat. No.	Size	Case
HB-1	.14 oz. /4 gm Pouch	100
HBK-2	1.25 oz. Tube, Carded	12
HB-4	4 oz. Tube	12



MZ-4



MZ-4H

Mr. Zip Kable-Ease® Cable Lubricant

A weatherproof lubricant and protectant for all types of cables that will not gum or freeze. Stops cable noise, sticking, breakage, and needle flutter. Avoids costly repairs. Suggested Application: All automotive control cables, speedometer cables, bicycle gearing cables, and bicycle braking cables.

Cat. No.	Size	Case
MZ-4	.5 fl. oz. Tube, Carded	12
MZ-4H	.5 fl. oz. Tube, Carded	12



LE-1



MZ-1



MZ-1H

Lock De-Icer Fluid

Instantly thaws and de-freezes all types of frozen locks quickly. Also lubricates internal lock mechanism. Not harmful to automotive paint finishes. Suggested Application: Auto and home door locks, gas cap locks, bike rack locks, ski box locks, and luggage box locks.

Cat. No.	Size	Case
LE-1	1 fl. oz. Bottle	12
MZ-1	.5 fl. oz. Tube, Carded	12
MZ-1H	.5 fl. oz. Tube, Carded	12



MZ-3



MZ-3 DISPLAY BOX



MZK-3

Lock De-Icer Aerosol

Aerosol injector instantly thaws and de-freezes all types of frozen locks quickly. Also lubricates internal lock mechanism. Not harmful to automotive paint finishes. Suggested Application: Auto and home door locks, gas cap locks, bike rack locks, ski box locks, and luggage box locks.

Cat. No.	Size	Case
MZ-3	.625 oz. Can / Display Box	24
MZK-3	.625 oz. Can, Carded	12



OS-12

Not harmful
to engine
components

Stop Oil Leaks

A special blend of chemicals that helps to restore the original sealing ability of brittle engine seals. Most engine oil leaks are caused by dried out seals. Just add to oil and stop oil leakage.

Cat. No.	Size	Case
OS-12	12 fl. oz. Bottle	12



PS-12



PS-17



PS-18

Power Steering Fluid

Special top quality formula meets specification of Saginaw Steering Gear Division of General Motors (GM Specification No. 99985010) and specifications of other car manufacturers. Only use product that meets specifications; ATF and hydraulic oils sold as "power steering fluid" do not meet these requirements.

Cat. No.	Size	Case
PS-12	12 fl. oz. Bottle	12
PS-17	1 Quart Bottle	6
PS-18	1 Gallon Bottle	4





QL-17

QL-18

Never use ordinary hydraulic fluid or transmission fluid in a snow plow unit.

Quick-Lift® Snow Plow Hydraulic Fluid

A special formulation hydraulic fluid with anti-wear additives. Designed to give superior cold weather performance down to -40°F. Adds protection for metal components and is compatible with other leading snow plow fluids.

Cat. No.	Size	Case
QL-17	1 Quart Bottle	6
QL-18	1 Gallon Bottle	4



RG-18

RG-20

Ru-Glyde® Tire Mounting Lube

The Industry-approved tire mounting and rubber lubricant. Lubricates tires for mounting and demounting. A must for all tubeless tires. Protects beads against scuffing during mounting—assures proper bead seating on rim. Protects against tire slippage after mounting. Also removes rubber squeaks in bushings and grommets.

Cat. No.	Size	Case
RG-18	1 Gallon Bottle	4
RG-20	5 Gallon Bucket	1
RG-55	55 Gallon Drum (not shown)	1



RGT is a concentrated formula. Just add water

RGT-18

RGT-20

Ru-Glyde® Tire Mounting Lube Concentrate

The Industry-approved tire mounting and rubber lubricant in a concentrated formula. Just add water in recommended ratios.

Cat. No.	Size	Case
RGT-18	1 Gallon Bottle/26 fl.oz. Concentrate	4
RGT-20	5 Gallon Bucket/130 fl.oz. Concentrate	1



SG-2



SG-2H

Sil-Glyde® Lubricating Compound

Lubricates - Silences - Freeze-Proofs - Protects
A longer-lasting, high film strength lubricant for all surfaces, including: rubber, metal, wood, and glass. Weatherproofs and performs from -20°F to +500°F. Grease consistency stays put and won't drip off like silicone oils. Suggested Applications: Trunk seals, rubber bumpers, speedometer cables, brake parts, window channels, hood strips and pads, rubber gaskets, and belts.

Cat. No.	Size	Case
SG-2	1.5 oz. Tube, Carded	12
SG-2H	1.5 oz. Tube, Carded	12
SG-4	4 oz. Tube	12
SG-8	8 oz. Tube	12



SG-4

SG-8

* See page 16 for bulk containers of Sil-Glyde.



MEETS OEM REQUIREMENTS

SP-1



SP-2

Sil-Glyde® Dielectric Spark Plug Boot Protector

Locks-out moisture. Avoids stuck-on boots. Dielectric Sil-Glyde is enriched with moisture barriers, for a dry, moisture-proof environment. Provides low cost, long term protection, prevents arcing, and maximizes sparking power.

Cat. No.	Size	Case
SP-1	.14 oz. / 4 gm Pouch	100
SP-2	1.25 oz. Tube, Carded	12



Completely rebuild/replace/flush system if using DOT 5 in a brake system previously containing DOT 3 or DOT 4 fluid.

SBF-12

SBF-17



SBF-18

Silicone Brake Fluid

Specially formulated, high-temperature fluid required in some modern brake systems. Reduces corrosion in the braking system. Provides even braking performance in temperatures from -75°F to +600°F. Recommended for Domestic, European, and Japanese vehicles. Excellent for motorcycles, heavy duty vehicles, and trailer units.

Cat. No.	Size	Case
SBF-12	11 fl. oz. Bottle	12
SBF-17	1 Quart Bottle	6
SBF-18	1 Gallon Bottle	1



TMK-1



TMP-1



TM-1

Thread-Magic® Spark Plug Anti-Seize

Avoid stuck plugs and bolts. Assure easy removal on aluminum and cast iron components to prevent seizing, galling, and damage during disassembly. Suggested Applications: Spark plugs, bolts, and fasteners.

Cat. No.	Size	Case
TMK-1	.43 oz. Stick, Carded	12
TMP-1	.14 oz./4 gm Pouch	100
TM-1	.43 oz. Stick Display Box	36



NLGI GC-LB

WBG-2 DISPLAY BOX

Grease-A-Bearing

High temperature, high pressure, water resistant wheel bearing and chassis lubricant. Meets OEM specifications. Suggested Applications: Automotive wheel bearings, trailer wheel bearings, universal joints, and chassis.

Cat. No.	Size	Case
WBG-2	2.82 oz. Packet / 4 Display Boxes of 12	48



AUTOMOTIVE LUBRICANTS



WL-1



WL-1H



WL-14

WL-16 is actual grease and NOT just a thickened oil



WL-16



WL-8



WL-15

Lith-Ease® White Lithium Grease

LITH-EASE is a high quality, multi-purpose grease for automotive, marine, shop, farm, and home use. It is a long-lasting lubricant with excellent water and heat resistance, corrosion protection and film strength. LITH-EASE provides superior performance in all weather and all temperatures. Excellent for all metal-to-metal contacts.

Cat. No.	Size	Case
WL-1	1.25 oz. Tube, Carded	12
WL-1H	1.25 oz. Tube, Carded	12
WL-8	8 oz. Tube	12
WL-14	14.5 oz. Cartridge	10
WL-15	16 oz. Tub	12
WL-16	11.5 oz. Aerosol Can	12



* See page 17 for bulk containers of Lith-Ease.

AUTOMOTIVE LUBRICANTS – APPLICATION GUIDE

The #1 Choice in Specialty Lubricants for Automotive Applications

APPLICATION	Belt-Ease Belt Dressing	Connector Protector	Sil-Glyde Brake Lubricant	White Lithium Grease Crayon	Dielectric Silicone Compound	Store-It Start-It Gas Stabilizer	Outboard Gear Lube	Sil-Glyde Hitch-Ball Lubricant	Lock De-Icer Fluid	Lock De-Icer Aerosol	Kable-Ease Cable Lubricant	Stop Oil Leaks	Power Steering Fluid	Quick-Lift Snow Plow Fluid	RuGlyde Tire Mounting Lubricant	Silicone Brake Fluid	Sil-Glyde Lubricant	Dielectric Spark Plug Boot Protector	Thread-Magic Anti-Seize	Grease-A-Bearing	Lith-Ease White Lithium Grease	
Auto/Speedometer Cables																						
Door Locks																						
Fan and V-Belts																						
Bolts/Pins																						
Brake Assemblies																						
Braking Systems—Internal																						
Bulbs																						
Disc Brake Pads																						
Door/Trunk Hinges																						
Engines—Rear Differentials																						
Gas Tanks/Containers																						
O-Rings																						
Hitch-Balls																						
Ignition Modules/Wires																						
Outboard Motors																						
Pigtails/Plugs/Connectors																						
Power Steering Systems																						
Roof Rack/Bicycle Locks																						
Seat Tracks																						
Snow Plow Hydraulic Units																						
Spark Plug Wires/Boots																						
Spark Plugs																						
Switches/Relays																						
Tire Installation																						
Trailer Receivers																						
Trunk/Door Seals																						
Wheel Bearings																						

A lubricant for almost every application point on todays automobiles. Shown are just a few.

● Indicates page number where product appears



5



6



7



7



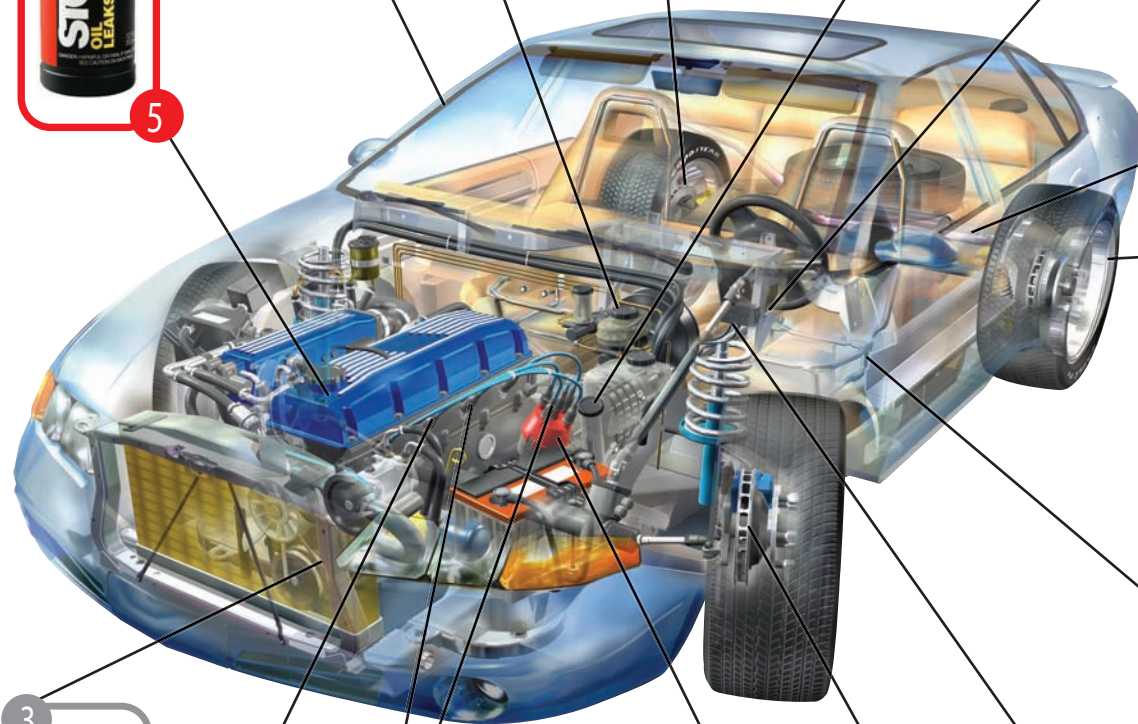
5



5



5



6



4



3



7



7



4



3



3

AGS makes specialized fluids that solve problems and increase longevity.



A part of history . . .

A AMERICAN GREASE STICK

PRODUCTS

Since 1931

AMERICAN GREASE STICK has been an innovator in specialized lubrication for more than 75 years. Beginning in 1931 with the creation of the stick lubricant known as **Door-Ease**® and followed by such well-known products as **Lock-Ease**® and **Dripless Oil**®, AGS creates specialized lubricants that work where others fail.



DOOR-EASE®
Grease Stick
in many forms
since 1931.

DRIPLESS OIL®
circa 1940's.



LOCK-EASE®
circa 1950's.



DE-2



DEK-3



DEK-3H

Door-Ease® Stick Lubricant

Door-Ease is 'The Original' no-mess stick lubricant. It's the clean, convenient way to stop squeaking and sticking. Prevents wear on any exposed surface, while lubricating much cleaner than greases and oils. With Door-Ease it is impossible to over-apply. Suggested Applications: Sliding door and window channels, curtain rod slides, latches, doors, drawers, zippers, sunroofs, seat tracks, screws and nails, and power and handsaw blades.

Cat. No.	Size	Case
DE-2	.43 oz Stick, Carded	12
DE-3	6 Display Boxes of 6-.43 oz. Sticks (not shown)	36
DEK-3	1.6 oz Stick, Carded	12
DEK-3H	1.6 oz Stick, Carded	12

* See page 15 for bulk Door-Ease sticks.



DO-4

Door-Ease® Dripless Oil

All-Purpose—Stays Put, Won't Drip Out. Penetrates quickly, then converts to a full-bodied lubricant, combining the best properties of oil and grease. Lubricates, rustproofs and displaces moisture. Won't gum at -20°F. or drip at +200°F. Outperforms common "cure-all" sprays.

Cat. No.	Size	Case
DO-4	3.4 fl. oz. bottle	12

* See page 15 for bulk size containers of Dripless Oil.



EC-11

Electro Contact Cleaner

An instant solvent and cleaner. Electro Contact Cleaner quickly removes grease, dust, oxidation and other contaminants from precision electronic instruments. Restores and maintains the original efficiency of all electronic instruments, eliminating noise caused by dust and dirt. Suggested Application: Alternators, distributors, regulators, relays, switches, contacts, timers, and buss bars.

Cat. No.	Size	Case
EC-11	11 oz. Aerosol Can	12



GDL-6



GDL-8



Automatic Garage Door Lubricant

For lubricating garage door track, slide and screw. Regular use assures thorough lubrication and protection against wear, moisture, and corrosion. Stops squeaks and sticking. Maintains consistent viscosity in temperatures from -50°F up to +365°F.

Cat. No.	Size	Case
GDL-6	4 oz. Aerosol Can	12
GDL-8	8 oz. Tube	12



GLB-11

Greaseless Multi-Use Lubricant

Formulated from the finest concentrates to provide excellent penetration, lubrication and protection. In addition to freeing rusted and corroded parts, Greaseless Multi-Use Lubricant leaves behind a clean high quality film which repels water, inhibits corrosion, and continues to penetrate and protect over long intervals. Helps moving parts operate more efficiently and last longer.

Cat. No.	Size	Case
GLB-11	11 oz. Aerosol Can	12



ISL-11

Industrial Strength Multi-Use Lubricant

Industrial Strength Lubricant is an extremely effective moisture displacer, penetrant, lubricant and corrosion inhibitor. Formulated to penetrate difficult areas and rapidly displace water from metal surfaces. It is also an outstanding non-staining rust preventive. Suggested Applications: Ignition wires, rusted bolts, noisy parts, spark plugs, farm machinery, circuitry, marine engines, guns, coin operated machines, and fishing gear.

Cat. No.	Size	Case
ISL-11	11 oz. Aerosol Can	12



LE-4



LEK-4



LEK-4C



LE-5

Lock-Ease® Graphited Lock Fluid

Protects against sticking, rust, and freezing. Lock-Ease makes locks work easier year-round. Prevents sticking, guards against rust and wear. Helps seal out moisture from working parts, providing maximum protection against freezing. Enters as a rapid penetrant coating all lock parts. The special "carrier" then evaporates, leaving a graphited long-wearing film. After evaporation, will not run, even in hottest climates...won't harden at sub-zero temperatures. Suggested Applications: Recommended for all types of locks, household appliances, tools, guns, reels and other mechanisms.

Cat. No.	Size	Case
LE-4	3.4 fl. oz. Bottle	12
LEK-4	3.4 fl. oz. Bottle, Carded	12
LEK-4C	3.4 fl. oz. Bottle, Carded/Clip-strip	12
LE-5	3 oz. Aerosol Can	12

* See page 17 for bulk size containers of Lock-Ease.



MO-2



MO-4



The Amazing Mr. Oil

A convenient, non-aerosol, general purpose lubricant that "Fixes 1001 Things!" Loosens, lubricates, and rust proofs. An exceptional product that penetrates and then converts to a long-lasting protective film that won't run off or wash off.

Cat. No.	Size	Case
MO-2	.14 oz./4 gm pouch	100
MO-4	3.4 fl. oz. bottle	12



HOME HARDWARE LUBRICANTS



Heavy Duty Rust Inhibitor

Heavy Duty Rust Inhibitor is designed to prevent rust and corrosion under the most severe conditions. Protects all types of metal surfaces through an almost transparent film that adheres after the coating dries. Protects against salt-water spray, rain, humidity and temperature variations. Ideal for protecting all types of equipment during shipment overseas. Will not affect painted or primed surfaces and offers excellent corrosion resistance.

Cat. No.	Size	Case
RL-11	11 oz. Aerosol Can	12

Excellent for
overseas
shipments

RL-11



Motor & Bearing Assembly Oil

The highest quality turbine all-purpose lubricating oil. Bottle includes a unique telescoping 'snorkel' for getting to hard to reach places. Suggested Applications: machinery, electrical controls, industrial equipment, shop tools, electric motors from 1/3 to 5 HP, bushings, bearings, and all types of mechanical linkages.

- Paraffin base, non-gumming
- Rust & oxidation inhibitor
- Withstands high temperatures
- A must for heater blowers
- Non-detergent

SAE-20

Cat. No.	Size	Case
MO-4T	4 fl. oz. Bottle	12

MO-4T

7" Telescoping Snorkel!



MZ-2



MZ-21



MZ-25



MZ-2H



MZ-5

Mr. Zip® Extra Fine Graphite

Mr. Zip is an all-purpose, dry powder lubricant which is both odorless and non-toxic. Use to guard against sticking, wear, and corrosion. Can be used on all-types of material, including: metal, wood, plastic, and rubber. Suggested Applications: Precision instruments, locks, hinges, tools, guns, fishing reels, camera shutters, bicycles, office machines, toys, etc. Odorless and Non-toxic.

Cat. No.	Size	Case
MZ-2	21 oz. Tube, Carded	12
MZ-21	1.75 oz. "Puffer" Gun	12
MZ-25	8 oz. Bottle	12
MZ-2H	21 oz. Tube, Carded	12
MZ-5	1.13 oz. Bottle, Carded	12



WL-3H

Powdered White Lubricant

Powdered White Lubricant is a clean and greaseless product that will not stain most materials. Use where lubrication is needed, but without the oily, greasy, and dirty mess that most lubricants can cause. Excellent for use on all types of material including: metal, wood, plastic, rubber, and leather. Suggested Applications: Windows, door locks, sliding door tracks, cabinets, wood floors, traverse rods, and zippers.

Cat. No.	Size	Case
WL-3H	.21 oz. Tube, Carded	12

HOME HARDWARE LUBRICANTS – APPLICATION GUIDE

**The #1 Choice in
Specialty Lubricants
for Home/Hardware
Applications**

APPLICATIONS	Door-Ease Stick Lubricant	Dripless Oil	Electro Contact Cleaner	Automatic Garage Door Lube	Greaseless Multi-Use Lubricant	Industrial Strength Multi-Use Lubricant	Lock-Ease Graphited Fluid	The Amazing Mr. Oil	Heavy-Duty Rust Inhibitor	Motor & Bearing Assembly Oil	Mr. Zip Extra-Fine Graphite	Powdered White Lubricant
Appliances						•						
Bicycles		•			•		•	•			•	
Cabinets	•											•
Contacts			•									
Drawers	•											•
Electric Motors										•		
Farm Machinery	•		•		•	•			•	•	•	•
Fishing Reels		•			•	•	•	•			•	
Garage Doors				•								
Gun Mechanisms		•			•	•	•	•			•	
Locks							•				•	
Marine	•	•			•		•		•	•		
Office Machines		•	•		•		•			•	•	
Relays			•		•							
Rusted Parts		•			•	•		•	•			
Screws Nails	•											
Shop Tools		•	•		•	•	•	•	•	•		
Sliding Doors	•											•
Switches			•									
Toys		•	•		•		•	•	•	•	•	•
Window Channels	•				•							•
Wood Floors											•	•
Zippers	•											•





AC-12 AC-17 AC-18 AC-20

Air Compressor Oil

For proper maintenance of air compressors, avoid using multi-viscosity oils or other lubricants which can carbonize and reduce compressor life. This specially formulated non-detergent SAE 30W oil may be used to top-off or replace other quality non-detergent compressor oils. Air Compressor Oil lubricates and protects pneumatic compressors operating in an ambient temperature range of 25°F to 120°F.

Cat. No.	Size	Case
AC-12	12 fl oz. Bottle	12
AC-17	1 Quart Bottle	6
AC-18	1 Gallon Bottle	4
AC-20	5 Gallon Pail	1



AS-8

Assembly Grease

Use Assembly Grease to protect rebuilt motors during dry start-ups. The high film strength grease provides superior start-up protection for rebuilt engines and parts. Almost twice the film strength of competitive greases. Higher film strength means better protection..

Cat. No.	Size	Case
AS-8	8 oz. Tube	12



AT-4 AT-12 AT-17 AT-18

Air Tool Oil

Only use specially formulated Air Tool Oil when lubricating pneumatic tools. Air Tool Oil absorbs moisture to protect internal parts from rust and corrosion. Regular use prolongs tool life and improves performance.

Cat. No.	Size	Case
AT-4	3.4 fl. oz. Bottle	12
AT-12	12 fl. oz. bottle	12
AT-17	1 Quart Bottle	6
AT-18	1 Gallon Bottle	4
AT-50	50 Gallon Drum (not shown)	1



ATA-12 ATA-17



Air Tool Anti-Freeze

Stops freeze-ups and keeps pneumatic tools operating smoothly. Moisture and cold weather combine to freeze-up ordinary oils and starve the air tool's internal components of much-needed lubrication. AIR TOOL ANTI-FREEZE keeps pneumatic tools lubricated and working properly in temperatures down to -50°F.

Cat. No.	Size	Case
ATA-12	12 fl. oz. bottle	12
ATA-17	1 Quart Bottle	6



CE-16

Cut-Ease®

A stick lubricant for cutting applications of non-ferrous metals and plastics. Where a circulating lubricant is not possible, Cut-Ease applied to the cutting surface will provide a cleaner, faster, and smoother cut. When used consistently, Cut-Ease can prolong tool life, stop binding, and prevent burring.

Cat. No.	Size	Case
CE-16	1 lb. Stick Canister	12
CEP-16	1 lb. Stick (not shown)	12





BT-16

Belt-Magic®

Belt-Magic is specially formulated for use on coated abrasive belts. Consistent use will extend the life of belts up to 30% and prevent loading on the belt for better overall performance. Resists high temperatures, clings to belt, and will not build up behind wheel.

Cat. No.	Size	Case
BT-16	1 lb. stick	12



CG-18

CG-20



Cutting And Grinding Oil

A water-soluble oil for grinding, drilling, machining and cooling. One gallon can make up to 40 gallons of cutting oil. Cutting and Grinding Oil forms a very stable emulsion with excellent rust protection. The emulsion stability promotes rapid settling of grinding dirt. This formulation resists bacterial growth and reduces odor problems.

Cat. No.	Size	Case
CG-18	1 Gallon Bottle	4
CG-20	5 Gallon Pail	1
CG-55	55 Gallon Drum (not shown)	1



DE-1



DEB-3

Door-Ease® Stick Lubricant

Door-Ease is 'The Original' no-mess stick lubricant. It's the clean, convenient way to stop squeaking and sticking, prevent wear on any exposed surface, and lubricate much cleaner than greases and oils. With Door-Ease it is impossible to over-apply. Can be melted at 150°F for dipping or brush-on applications. Suggested Applications: Production lines, assembly applications, screw/nail insertion, and power or handsaw blades.

Cat. No.	Size	Case
DE-1	.43 oz. Stick / label	36
DEP-1	.43 oz. Stick / no label (not shown)	200
DEB-3	1.6 oz. Stick / label	100
DEP-3	1.6 oz. Stick / no label (not shown)	100
DE-25	25 lb. Block (not shown)	1



DO-18

DO-20

Door-Ease® Dripless Oil

All-Purpose—Stays Put, Won't Drip Out. Penetrates quickly, then converts to a full-bodied lubricant, combining the best properties of oil and grease. Lubricates, rustproofs and displaces moisture. Won't gum at -20°F. or drip at +200°F. Outperforms common "cure-all" sprays. Suggested Applications: Hinges, joints, chains, overhead hoists, stuck nuts/bolts, locks, and instrumentation.

Cat. No.	Size	Case
DO-18	1 Gallon Can	4
DO-20	5 Gallon Pail	1
DO-50	55 Gallon Drum (not shown)	1



DR-2

Drill-Ease®

Drill-Ease is a stick lubricant for use in all types of drilling applications. It's the clean, convenient way to stop sticking and binding. Consistent use will make drill bits last longer, the work go smoother, and the job get done faster. Simply apply stick directly to drill bit, re-applying when bit begins binding during drilling.

Cat. No.	Size	Case
DR-2	.43 oz. Stick / Display Box	24





DSB-1

Dielectric Silicone Compound

Stops Electrical Failures. A "MUST" for all electronic and electrical connections exposed to weather. Seals out moisture and corrosion, improves heat transfer, and does not lock parts together. Suggested Applications: Sensor connections, computer connections, solenoids, truck pigtails, plugs, ignition modules and coils, marine connections, lighting systems, batteries, and terminals.

Cat. No.	Size	Case
DSB-1	1.25 oz. Tube	100



SGO-2

Sil-Glyde® O-Ring Lubricant

A high film strength, water resistant, and non-petroleum compound for application to elastomeric O-rings, seals, and bushings. Provides a protective film that helps prevent abrasion, freeze-ups, and premature failure. Provides protection from -20°F to +400°F.

Cat. No.	Size	Case
SGO-2	1.5 oz. Tube	100



SG-20



SG-18

Sil-Glyde® Lubricating Compound

Lubricates - Silences - Freeze-Proofs - Protects

A longer-lasting, high film strength lubricant for all surfaces, including: rubber, metal, wood, and glass. Weatherproofs and performs from -20°F to +500°F. Grease consistency stays put and won't drip off like silicone oils. Non-petroleum. Suggested Applications: O-rings, rubber bushing, assembly, high speed bearings, valves, rubber gaskets, and belts.

Cat. No.	Size	Case
SG-18	1 Gallon Can	1
SG-20	5 Gallon Pail	1
SG-55	55 Gallon Drum (not shown)	1
SGB-2	1.5 oz. Tube (not shown)	100
SGL-55	55 Gallon Drum (liquid) (not shown)	1



TA-2

Tap-Ease®

Tap-Ease is a stick lubricant for use in all types of tap and die applications. It's the clean, convenient way to a smoother, faster cut. Replace liquid tapping fluids with chlorinated solvents and other VOC's. Works with aluminum, brass, magnesium, ferrous and non-ferrous materials.

Cat. No.	Size	Case
TA-2	.43 oz. Stick	24



TM-2

Trim-Ease®

Trim-Ease is excellent for use in the trimming of plastic laminates. Applying to the plastic surface area provides a protective film that prevents scuffing or other surface damage.

Cat. No.	Size	Case
TM-2	.43 oz. Stick	24



INDUSTRIAL LUBRICANTS – APPLICATION GUIDE

**The #1 Choice in
Specialty Lubricants
for Industrial
Applications**

	FOR USE ON						FUNCTION					
	ALUMINUM	RUBBER	PLASTIC	METAL	GLASS	WOOD	ASSEMBLY	INSTALLATION	IN-SERVICE	FIELD SERVICE	PROTECTION	MAINTENANCE
CUTTING, DRILLING, GRINDING												
Cut-Ease	●		●	●		●					●	
Drill-Ease	●		●	●		●					●	
Cutting & Grinding Fluid Concentrate				●			●				●	
Tap-ease	●			●							●	
Belt-Magic	●	●		●		●		●			●	
Trim-Ease			●								●	
PROTECTANTS, FLUIDS, & CLEANERS												
Dielectric Silicone	●	●	●				●	●	●		●	
Sil-Glyde Lubricating Compound		●	●	●	●	●	●	●	●	●	●	●
Liquid Sil-Glyde		●	●	●	●	●	●	●	●	●	●	●
Dripless Oil All-Purpose Penetrating Lubricant		●	●	●	●	●	●	●	●	●	●	●
Door-Ease Stainless Stick Lubricant	●	●	●	●	●	●	●	●	●	●	●	●
Lith-Ease Lithium Grease	●		●	●	●		●	●	●	●	●	●
SPECIAL APPLICATION PRODUCTS												
Air Tool Oil				●					●			●
Air Tool Anti-Freeze Lubricant				●					●			●
Graphited Lock-ease Lubricant			●	●					●		●	●



WLB-1



WL-19



Lith-Ease® White Lithium Grease

LITH-EASE is a high quality, multi-purpose grease. It is a long-lasting lubricant with excellent water and heat resistance, corrosion protection and film strength. Provides superior performance in all weather and all temperatures. NLGI #2 grease, melt point is 360°F, pour point is 10°F.

SUGGESTED APPLICATIONS: Gear shift mechanisms, steering linkages, fans, blowers, garage door rollers, forklifts, and assembly lines.

Cat. No.	Size	Case
WLB-1	1 25 oz. Tube	100
WL-19	7.5 lb. Bottle	6
WL-35	35 lb. Pail (not shown)	1



LE-18



LE-20

Lock-Ease® Graphited Lock Fluid

Protects against sticking, rust, and freezing. Lock-Ease makes locks work easier year-round. Prevents sticking, guards against rust and wear. Helps seal out moisture from working parts, providing maximum protection against freezing. Enters as a rapid penetrant coating all lock parts. The special "carrier" then evaporates, leaving a graphited long-wearing film. After evaporation, will not run, even in hottest climates...won't harden at sub-zero temperatures.

Cat. No.	Size	Case
LE-18	1 Gallon Can	4
LE-20	5 Gallon Pail	1



Belt-Ease® Belt Dressing

Clear, clean belt dressing adds traction and stops belt slippage. Silences squeaks and squeals. Helps preserve life of automotive fan, alternator, power steering and air conditioner drive belts. Aerosol features "spray-any-way" valve that even works upside down with an accurate pinpoint spray.

Cat. No.	Size	Case
BDC-6	114 gm Aerosol	12

BDC-6



ATC-4



ATC-12



ATC-17

Air Tool Oil Lubricant

Only use specially formulated Air Tool Oil when lubricating pneumatic tools. Air Tool Oil absorbs moisture to protect internal parts from rust and corrosion. Regular use prolongs tool life and improves performance.

Cat. No.	Size	Case
ATC-4	100 ml bottle	12
ATC-12	355 ml bottle	12
ATC-17	946 ml bottle	6



Sil-Glyde® Brake Lubricant

Sil-Glyde is a silicone based brake lubricant recommended for the entire brake assembly and is compatible with rubber. It is a moisture-proof and heat resistant to over +425°F (218°C), which means it won't burn-off like other brake noise products. Using AGS brake lubricant is one of the keys to eliminating disc brake squeal.

Cat. No.	Size	Case
BKC-1	4 gm Pouch	100
BKC-3	20 gm Tube, Carded	12



BKC-3



Dielectric Connector Protector™

Connector Protector provides a moisture-proof barrier for electrical connections and wiring. Locks out weather, salt, and dirt, even in severe outdoor conditions. Suggested Applications: Plugs, sockets, connectors, bulbs, trucks, boats, cars, outdoor equipment, and underground connections.

Cat. No.	Size	Case
CPC-1	4 gm Pouch	100

CPC-1



Door-Ease® Stick Lubricant

Door-Ease is 'The Original' no-mess stick lubricant. It's the clean, convenient way to stop squeaking and sticking. Prevents wear on any exposed surface, while lubricating much cleaner than greases and oils. With Door-Ease it is impossible to over-apply. Suggested Applications: Sliding door and window channels, curtain rod slides, latches, doors, drawers, zippers, sunroofs, seat tracks, screws and nails, and power and handsaw blades.

DKC-3



DEC-3

Cat. No.	Size	Case
DEC-3	45 gm Stick / Display Box	36
DKC-3	45 gm Stick, Carded	12



DOC-4

Door-Ease® Dripless Oil

All-Purpose—Stays Put, Won't Drip Out. Penetrates quickly, then converts to a full-bodied lubricant, combining the best properties of oil and grease. Lubricates, rustproofs and displaces moisture. Won't gum at -20°F or drip at +200°F. Outperforms common "cure-all" sprays.

Cat. No.	Size	Case
DOC-4	100 ml Bottle	12



GLC-1

Automatic Garage Door Lubricant

For lubricating garage door track, slide and screw. Regular use assures thorough lubrication and protection against wear, moisture, and corrosion. Stops squeaks and sticking. Maintains consistent viscosity in temperatures from -50°F up to +365°F.

Cat. No.	Size	Case
GLC-1	34 gm Tube, Carded	12



WLC-1



WLC-16



WKC-2

Lith-Ease® White Lithium Grease

LITH-EASE is a high quality, multi-purpose grease for automotive, marine, shop, farm, and home use. It is a long-lasting lubricant with excellent water and heat resistance, corrosion protection and film strength. LITH-EASE provides superior performance in all weather and all temperatures.

Cat. No.	Size	Case
WLC-1	36 gm Tube, Carded	12
WLC-16	290.6 gm Aerosol Can	12
WKC-2	12 gm Stick	12



MZC-1

Lock De-Icer Fluid

Instantly thaws and de-freezes all types of frozen locks quickly. Also lubricates internal lock mechanism. Not harmful to automotive paint finishes. Suggest Application: Auto and home door locks, gas cap locks, bike rack locks, ski box locks, and luggage box locks.

Cat. No.	Size	Case
MZC-1	15 ml Tube, Carded	12



LEC-4



LEC-5

Lock-Ease® Graphited Lock Fluid

Protects against sticking, rust, and freezing. Lock-Ease makes locks work easier year-round. Prevents sticking, guards against rust and wear. Helps seal out moisture from working parts, providing maximum protection against freezing. Enters as a rapid penetrant coating all lock parts. The special "carrier" then evaporates, leaving a graphited long-wearing film. After evaporation, will not run, even in hottest climates. . .won't harden at sub-zero temperatures. Suggested Applications: Recommended for all types of locks, household appliances, tools, guns, reels and other mechanisms.

Cat. No.	Size	Case
LEC-4	100 ml Bottle	12
LEC-5	85 gm Aerosol Can	12



RGC-18



RGC-20

Ru-Glyde® Tire Mounting Lube

The industry-approved tire mounting and rubber lubricant. Lubricates tires for mounting and demounting. A must for all tubeless tires. Protects beads against scuffing during mounting—assures proper bead seating on rim. Protects against tire slippage after mounting. Also removes rubber squeaks in bushings and grommets.

Cat. No.	Size	Case
RGC-18	3.785 L Bottle	4
RGC-20	18.9 L Bucket	1



GSC-7

Store-It Start-It™ Gas Stabilizer

Concentrated Formula

Gas Stabilizer keeps fuel fresh during extended storage. Store engines between seasons without draining gas. Assures instant start-up after storage. Works with new ethanol fuels. Not for use with diesel engines 2007 and newer. Suggested Application: Tractors, chain saws, snow-blowers, lawn mowers, outboards, snowmobiles, motorcycles, boats, and automobiles.

Cat. No.	Size	Case
GSC-7	177 ml Bottle	12



SPC-1



SPC-2

Sil-Glyde® Dielectric Spark Plug Boot Protector

Locks-out moisture. Avoids stuck-on boots. Dielectric Sil-Glyde is enriched with moisture barriers, for a dry, moisture-proof environment. Provides low cost, long term protection, prevents arcing, and maximizes sparking power.

Cat. No.	Size	Case
SPC-1	4 gm Pouch	100
SPC-2	36 gm Tube, Carded	12



TKC-1



TMPC-1

Thread-Magic® Spark Plug Anti-Seize

Avoid stuck plugs and bolts. Assure easy removal on aluminum and cast iron components to prevent seizing, galling, and damage during disassembly. Suggested Applications: Spark plugs, bolts, and fasteners.

Cat. No.	Size	Case
TKC-1	12 gm Stick, Carded	12
TMPC-1	4 gm Pouch	100



For additional innovative products from AGS,
go to www.agscompany.com or see the
following catalogs:

C-680 – Single-Use Products

*Lubricants, Sealants & Thread Lockers, Automotive Applications,
Adhesives, Specialty Items, Do It Right™ Merchandising*

C-690 – Automotive Fluid Transfer Systems

*Steel Lines (Brake, Fuel, Transmission), Fittings, Hose Assemblies,
Displays, Assortments*

C-710 – Specialty Products

*Nitrile, Latex, Work Gloves, Automotive/Shop Lighting, Repair Kits,
Cable-Ties*



**AGS introduces a range of amazing
and innovative fastening, gripping, and
flaring tools**

The Terminator – The first in-line multi-flare tool . . . that works!

FlexForce – The fastest and easiest way to remove stripped fittings!

Ratchetman – The only ratchet-powered wrench of its kind!

B-Safe – Brake fluid tester & safety meter!

X-Changer – Rapid brake fluid exchange machine!



AGS Company

P.O. Box 729, Muskegon, MI 49443, U.S.A. • Toll Free 1-800-253-0403 • Toll Free in Michigan & Canada 800-735-0403
Local Calls (231) 733-2101 • FAX (231) 733-1784 • Website: www.agscompany.com