

WIRING INSTRUCTIONS

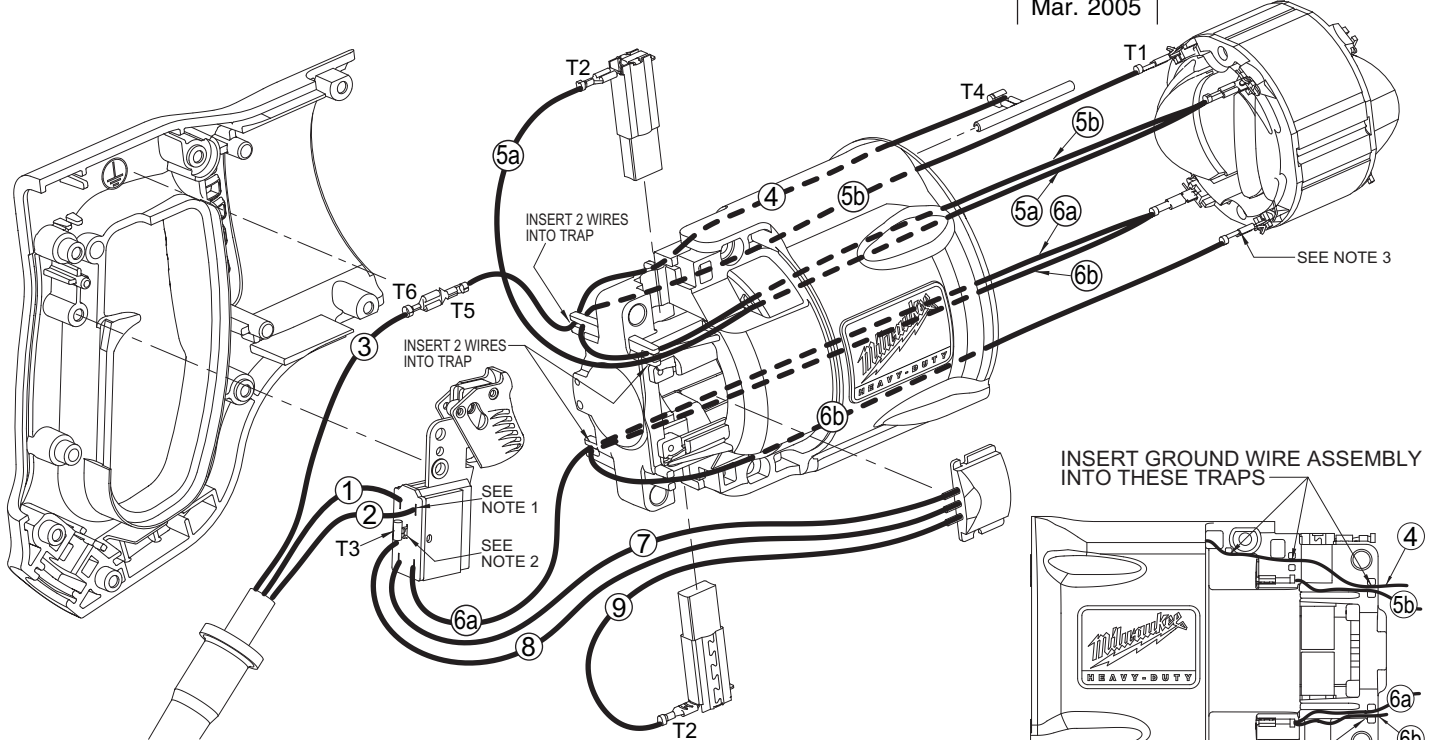
TITLE

SAWZALL®

**BULLETIN
58-01-0055**

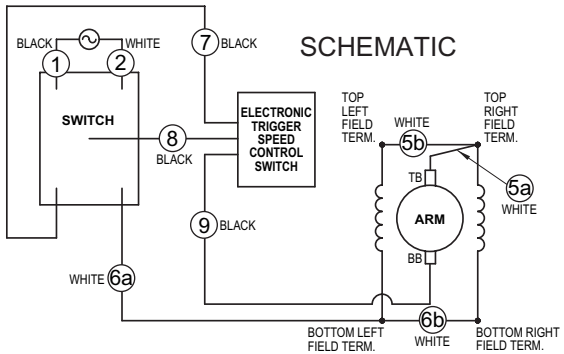
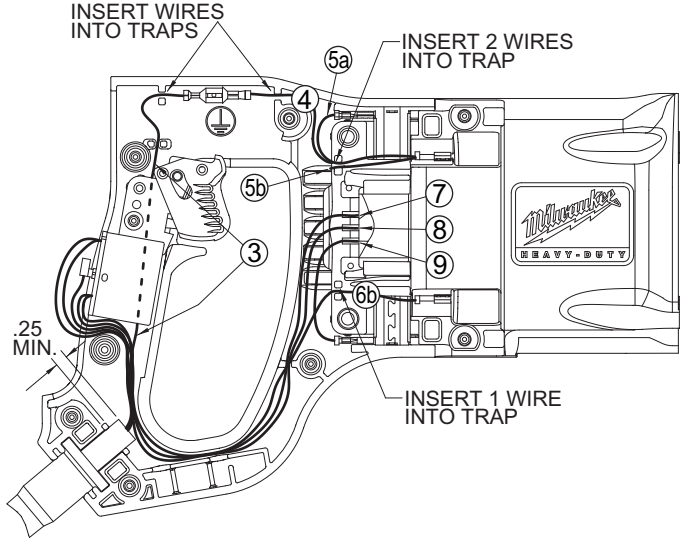
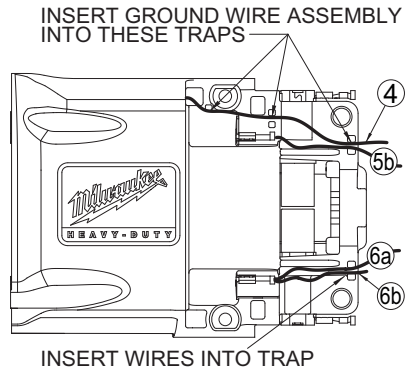
MILWAUKEE ELECTRIC TOOL CORP. 13135 WEST LISBON RD. BROOKFIELD, WIS.

DATE
Mar. 2005



NOTES:

1. END OF WIRE INSULATION MUST BE BELOW OPENING IN DUST SHIELD ON SWITCH. (4 PLACES).
2. BENDING OF TERMINAL (T2) IS ACCEPTABLE. IF BENT DURING ASSEMBLY, DO NOT STRAIGHTEN.
3. TERMINALS MAY BE SECURED WITH BARRELS FACING IN OR OUT. (4 PLACES).



WIRING SPECIFICATIONS

Wire No.	Wire Color	Origin or Part No.	Ga.	Length	Terminals, Connectors and End Wire Preparation
1	Black	Cord Assembly	16	3.75	Strip .375 and tin.
2	White	Cord Assembly	16	3.75	Strip .375 and tin.
3	Green	Cord Assembly	16	6.00	Strip .19 for T6.
4	Green	23-94-0025	18	7.00	Strip each end .190 for T4 and T5.
5a	White	23-94-6750	18	2.90	Strip one end .19 for T2.
5b	White	23-94-6750	18	5.00	Strip one end .15 for T1.
6a	White	23-94-6755	18	9.25	Strip one .320 and tin.
6b	White	23-94-6755	18	5.00	Strip one end .15 for T1.
7	Black	14-20-3150	18	10.00	Strip .320 and tin.
8	Black	14-20-3150	18	10.00	Strip .19 for T3.
9	Black	14-20-3150	18	2.40	Strip .19 for T2.

NOTE:
All leads must be held to ± 1/8".
All lead lengths are before stripping.

TERMINAL DESCRIPTION		
Code	Part No.	Qty.
T1	23-74-1060	4
T2	23-74-0017	2
T3	23-74-0900	1
T4	23-74-0605	1
T5	23-74-0105	1
T6	23-74-1095	1

BULK LEAD WIRE - BULLETIN 58-01-0003