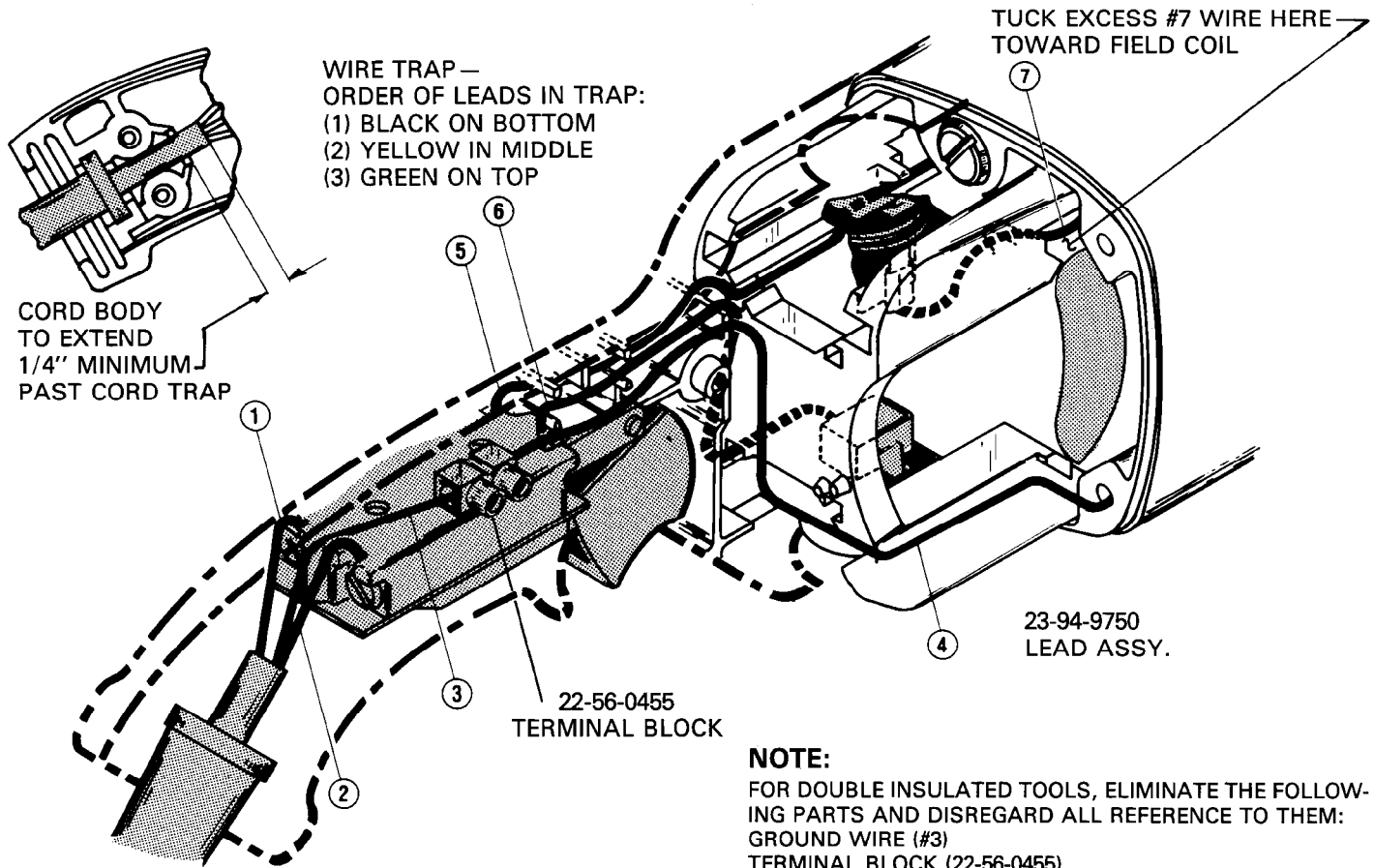


WIRING INSTRUCTIONS

TITLE	SANDER	BULLETIN
MILWAUKEE ELECTRIC TOOL CORP.	13135 WEST LISBON RD. BROOKFIELD, WIS	58-01-0301
		DATE Oct. '85



WIRE TRAP —
ORDER OF LEADS IN TRAP:
 (1) BLACK ON BOTTOM
 (2) YELLOW IN MIDDLE
 (3) GREEN ON TOP

TUCK EXCESS #7 WIRE HERE TOWARD FIELD COIL

23-94-9750
 LEAD ASSY.

22-56-0455
 TERMINAL BLOCK

NOTE:
 FOR DOUBLE INSULATED TOOLS, ELIMINATE THE FOLLOWING PARTS AND DISREGARD ALL REFERENCE TO THEM:
 GROUND WIRE (#3)
 TERMINAL BLOCK (22-56-0455)
 GROUND LEAD (#4)
 GROUND LEAD TERMINAL (T3)

AS AN AID IN REASSEMBLY, TAKE NOTE OF WIRE ROUTING AND POSITION IN WIRE GUIDES AND TRAPS WHILE DISMANTLING TOOL.

WIRING SPECIFICATIONS				
Wire No.	Wire Color	Origin or Gauge	Length	Terminals, Connectors and 1 or 2 End Wire Preparation
1	BLACK	CORD	1-1/2"	STRIP 3/16" FOR T1
2	WHITE	CORD	1-1/2"	STRIP 3/16" FOR T1
3	GREEN	CORD	1-1/2"	STRIP 3/16" AND TIN FOR TERMINAL BLOCK
4	GREEN	23-94-9750	9"	STRIP 3/16" FOR T3
				STRIP 3/16" AND TIN FOR TERMINAL BLOCK
5	BLACK	FIELD	6-1/2"	STRIP 3/16" FOR T1
6	YELLOW	BRUSH	6"	STRIP 3/16" FOR T1
				STRIP 1/8" FOR T2
7	YELLOW	FIELD	1-3/4"	STRIP 1/8" FOR T2

NOTE:
 All leads must be held to $\pm 1/8"$.
 All field leads to be measured from and perpendicular to laminations.
 All lead lengths are before stripping.

TERMINAL DESCRIPTION		
Code	Part No.	Qty.
T1	23-74-0851	4
T2	23-74-0755	2
T3	23-74-0810	1